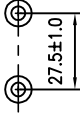
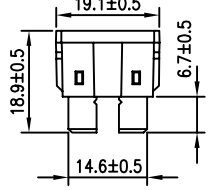
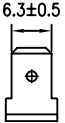
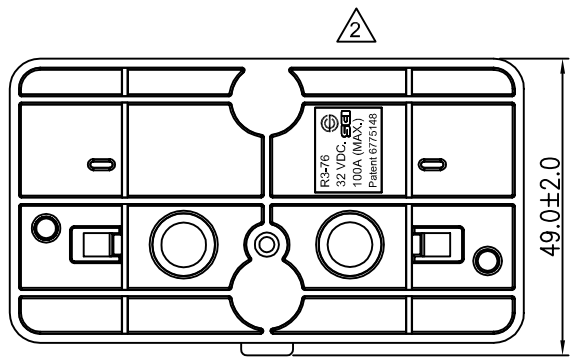
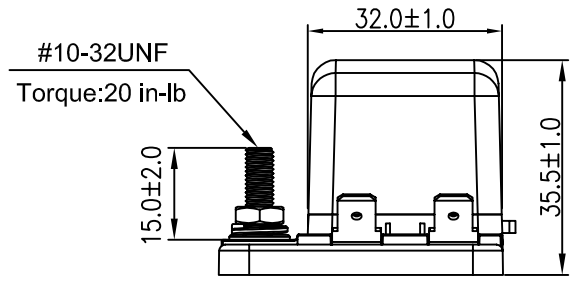
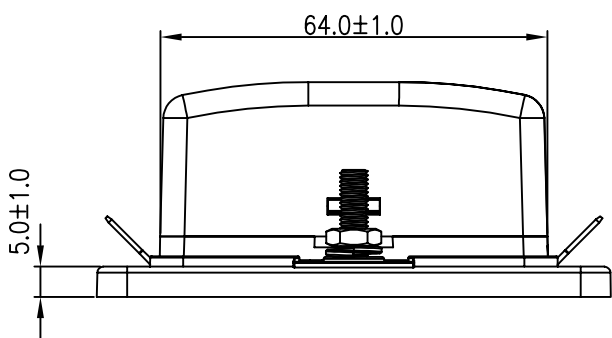
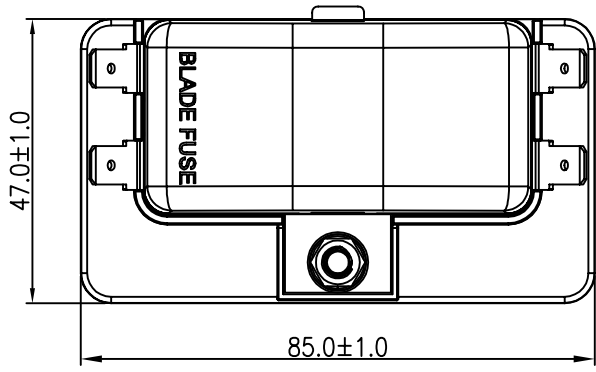
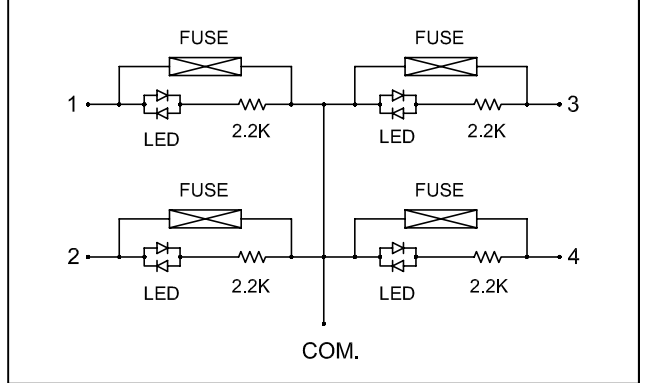


Voltage (Max.)	32 VDC.	Mounting Holes	Mini Blade Fuse Dim.
Input Terminal Rating	#10-32 threaded studs (100A max.)		
Output Terminal Rating	30A max. per circuit.		
Connection Pad Option Available	Input wire size : #4-6 AWG. Output wire size : #12-16 AWG.	Terminal Dim.	
Fuse Specifications	For Blade Fuses Used Only		
Torque Rating	20 in-lb (2.25Nm) max.		
Mounting Torque Rating	8 in-lb (0.9Nm) max.		
Temperature Rating	-20 °C to 85 °C	Circuit Diagram	



Material :
 Cover : PC. (Transparent)
 Housing , Base : PBT. (Black)
 Push Button : POM. (White)
 Terminal : Tin. plating Copper

Notes :
 Rating 100A max. tested by
 4 pcs. 25A load.

12/01/'11	曹盈芳	增加公司Logo	SCI							
Sep.-22-09'	Frank	Upgrade specified voltage value								
Date	Name	Description							No.	
Drawn	Checked	Approved	SCI BOM No.	1310373	Model Name	BLADE FUSE BOX (4P)				
曹盈芳	蘇文峰	王佰山	Customer No.		Model No.	R3-76-01-3L104	Rev.	2		
12/01/'11	12/08/'11	12/08/'11	Unit	mm	Shin Chin Industrial Co., Ltd.					