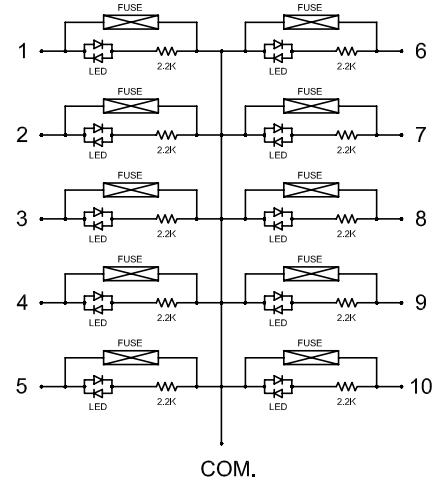
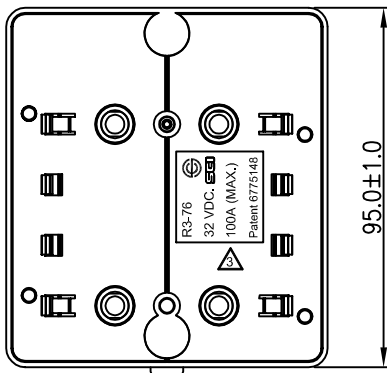
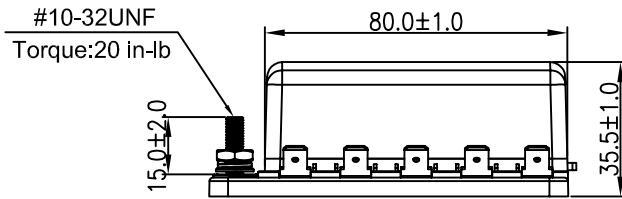
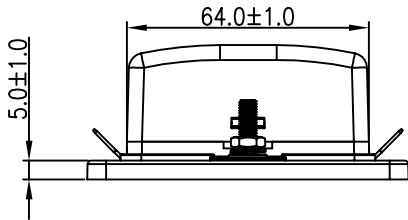
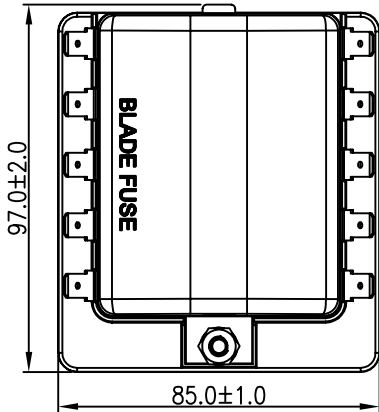


Voltage (Max.)	32 VDC.	Mounting Holes	Mini Blade Fuse Dim.
Input Terminal Rating	#10-32 threaded studs (100A max.)		
Output Terminal Rating	30A max. per circuit.		
Connection Pad Option Available	Input wire size : #4-6 AWG. Output wire size : #12-16 AWG.	Terminal Dim.	
Fuse Specifications	For Blade Fuses Used Only		
Torque Rating	20 in-lb (2.25Nm) max.		
Mounting Torque Rating	8 in-lb (0.9Nm) max.		
Temperature Rating	-20 °C to 85 °C	Circuit Diagram	



Material :  
 Cover : PC. (Transparent)  
 Housing , Base : PBT. (Black)  
 Push Button : POM. (White)  
 Terminal : Tin. plating Copper

Notes :  
 1. Rating 100A max. tested by 4 pcs. 25A load.

12/02/'11	曹盈芳	增加公司Logo	增加公司Logo						⚠
Sep.-22-09'	Frank	Upgrade specified voltage value							⚠
Jul.29-09'	Frank	update drawing version and add. tested description.							⚠
Date	Name	Description						No.	
Drawn	Checked	Approved	SCI BOM No.	1310345	Model Name	BLADE FUSE BOX (10P)			
曹盈芳	蘇文峰	王佰山	Customer No.		Model No.	R3-76-01-3L110	Rev.		
12/02/'11	12/08/'11	12/08/'11	Unit	mm	Shin Chin Industrial Co., Ltd.				3