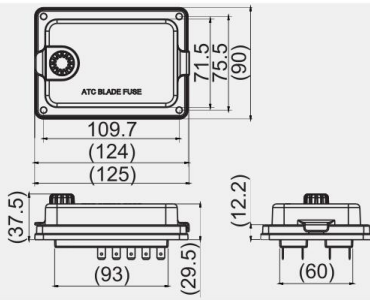


R3-83-01-1 310 **Waterproof / ATC Blade Fuse**

IP56

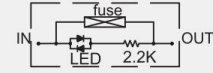



INDICATOR LIGHT

With LED

W/O LED

CIRCUIT DIAGRAM



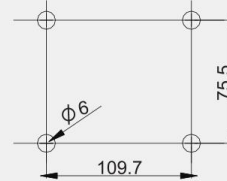
 (6.4mm)0.250"
Quick connect

32V DC max
Output: 25A max per circuit

FUSE



CUT-OUT



FEATURES:

- Material:
Base: PBT (UL flame: 94V-0).
Cap: PC (UL flame: 94V-2).
Terminal: nickel plated brass.
- Wire size: #10-16 AWG.
- Mounting torque rating: 8in-lb (0.9 Nm) max.
- Output terminal rating: 25A max per circuit.
- Red LED indicates when fuse is broken.
- Clear insulating cover design for water and dust proof.

THE DRAWING IS FOR REFERENCE ONLY.

